

Cable Modem Installation - Ethernet

These instructions assume that you have an Ethernet cable modem and that your computer has a working Ethernet port.

1. Begin installation by connecting the CableNet cable drop to the cable terminal on the back of the cable modem (see Figure 2).

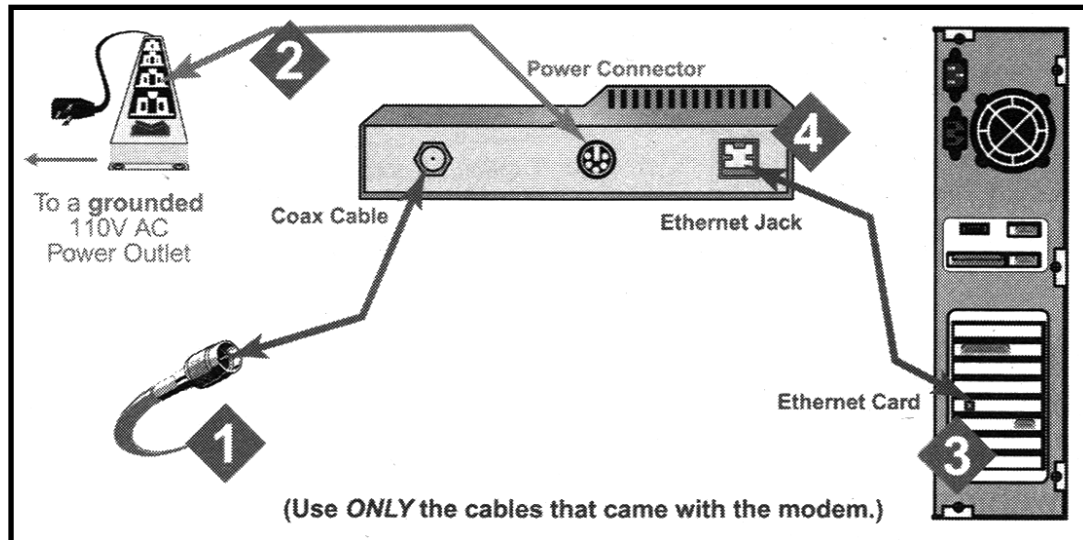


Figure 2 - Typical Ethernet cable modem installation

2. Attach one end of the power adapter into the power input on the modem. The other end plugs into a **grounded** 110-volt outlet.

Powering up the cable modem could take longer the first time (from 2 to 10 minutes) than on successive occasions because it must establish its initial connection (*block sync* or *synchronization*) to CableNet.

3. Connect one end of a standard network cable into the Ethernet port of the NIC that is installed in your computer. The Ethernet port looks like a large telephone jack.
NOTE: Your computer will be configured to TCP/IP by the **CableNet Self Connect** installation software.
4. Insert the other end of the network cable into the Ethernet port on the back of the cable modem.

Once the modem has established its connection to CableNet, you usually will have three lights on (power, cable and computer connection) showing that high-speed cable Internet access is now available to your computer. If not, call your cable company. Next you'll install the CableNet software and your computer will be ready to go.

NOTE: When you finish using your cable modem, you do not need to turn it off. Leave it on even when you turn off your computer.